

D120VK






Mosaic

Fuel Type	Wood
------------------	-------------

Oven Type	Static
------------------	---------------

Domical type ovens are with silicone coating or mosaic finish. Due to its multiple colour options, those ovens are very suitable for in-house restaurant use where customers enjoy both the pizza and the pizza oven. The wood combustion chamber is separated from the baking surface and it has drawer for collecting the ashes. Special finishes are available upon request as such ovens may be the pearl and flag mark of your pizza restaurant.

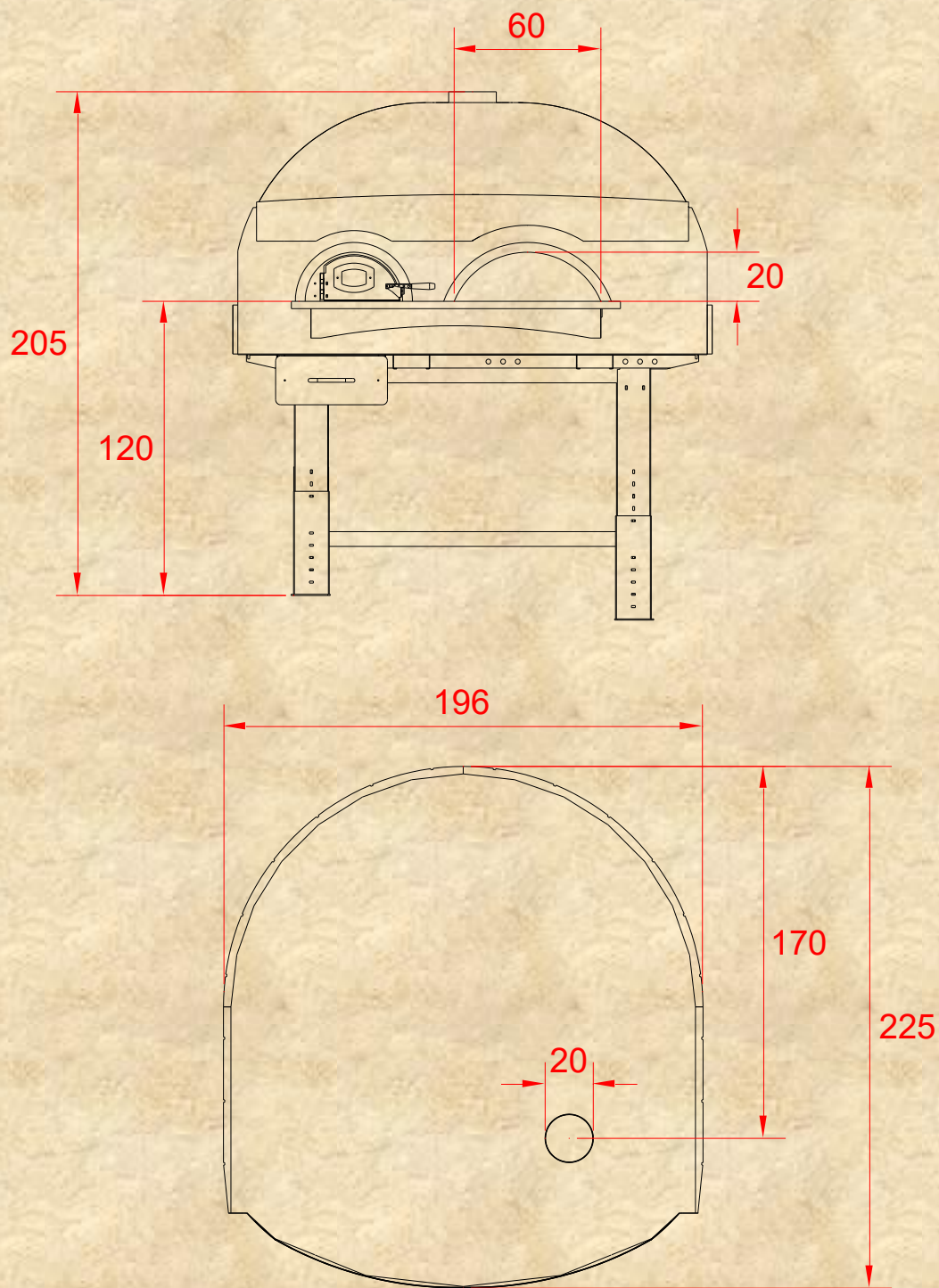
Capacity	9  30cm
Productivity	135  per hour
Firewood Consumption 	5 – 6 kg per hour
Weight 	2150 kg



We are a company, specializing in the manufacture of professional ovens for pizzerias.

AS TERM L.T.D
144 Tsar Ivan Asen II
4230 Asenovgrad
Bulgaria

tel/fax +359 331 462 42
info@astermforni.com
www.astermforni.com



***Dimensions in cm**



We are a company, specializing in the manufacture of professional ovens for pizzerias.

AS TERM L.T.D
 144 Tsar Ivan Asen II
 4230 Asenovgrad
 Bulgaria

tel/fax +359 331 462 42
info@astermforni.com
www.astermforni.com