



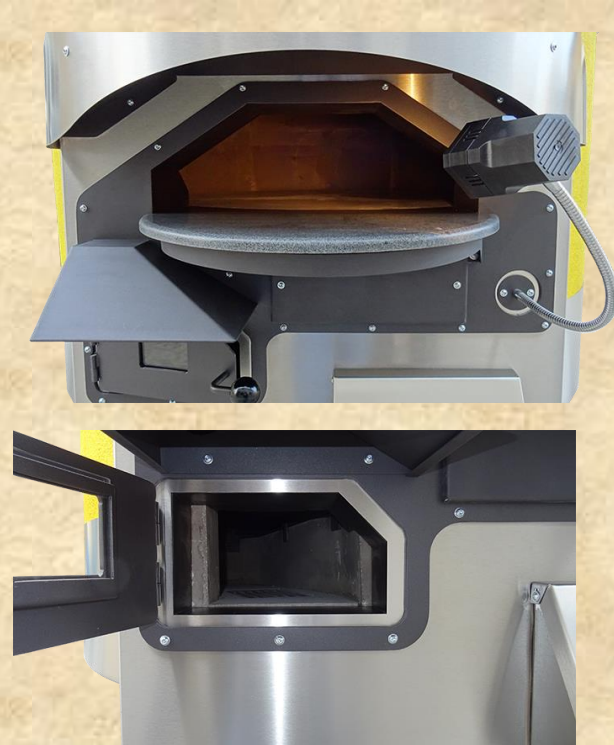
DR100K

Fuel Type

Wood






Oven Type

Rotary



Silicone Coating

Practical, compact, stylish - all words that describe this particular product. Our model DR100K is a wood fuel pizza oven with a rotating base adjustable for speed and direction of rotation, capable to bake up to 90 pizzas per hour. Very attractive and elegant with double door – one for the main baking chamber and additional door for the wood burning chamber. A separate drawer for the wood burning ashes. Modern wood oven with very high durability and efficiency – this is what this model offers. Produced in two designs – silicone coating and mosaic finish with various color options.

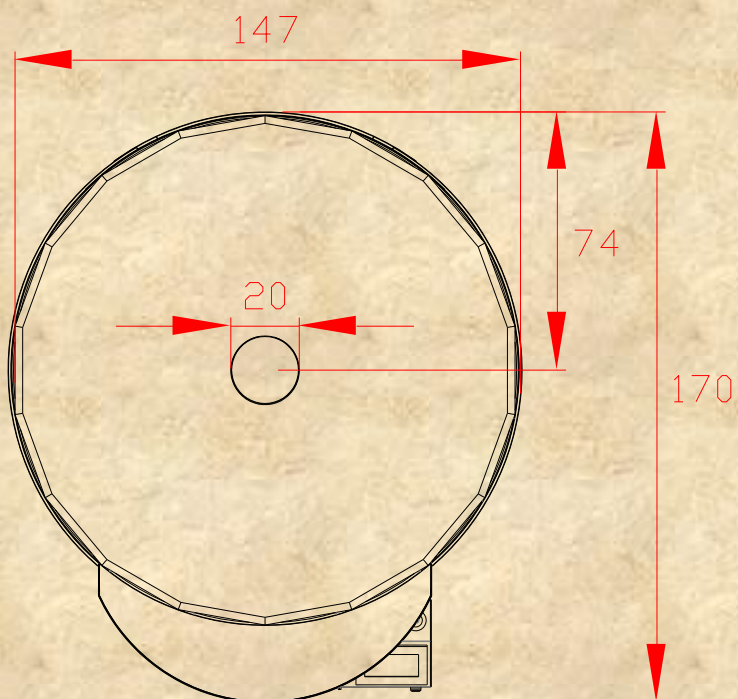
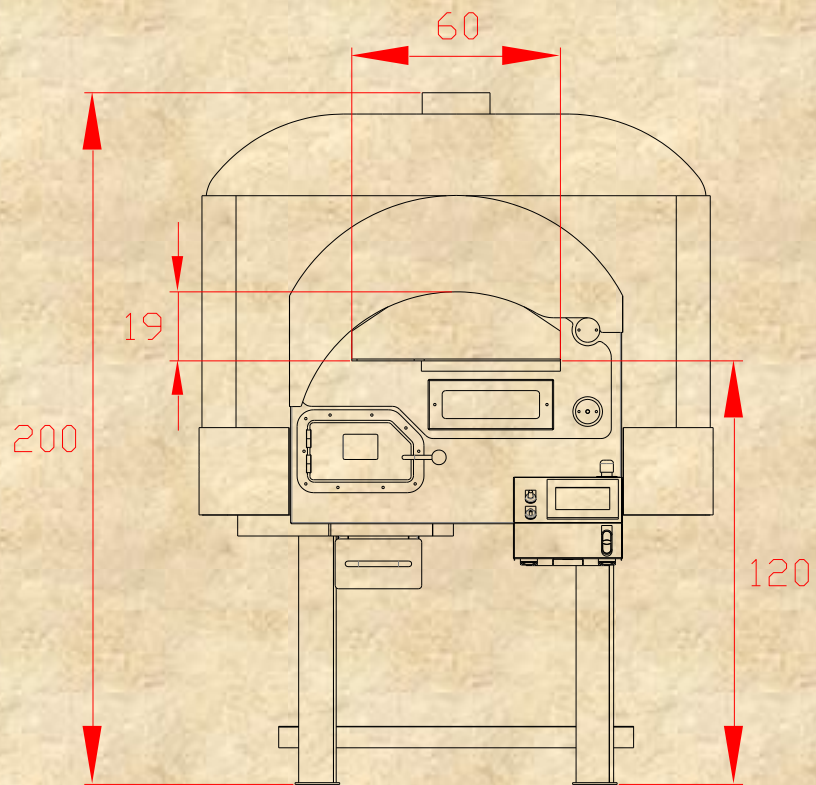
Capacity	6  30 cm
Productivity	90  per hour
Firewood Consumption 	4 – 5 kg per hour
Electrical Supply 	230V/50Hz
Weight 	1400 kg



We are a company, specializing in the manufacture of professional ovens for pizzerias.

AS TERM L.T.D
144 Tsar Ivan Asen II
4230 Asenovgrad
Bulgaria

tel/fax +359 331 462 42
info@astermforni.com
www.astermforni.com



***Dimensions in cm**



We are a company, specializing in the manufacture of professional ovens for pizzerias.

AS TERM L.T.D
144 Tsar Ivan Asen II
4230 Asenovgrad
Bulgaria

tel/fax +359 331 462 42
info@astermforni.com
www.astermforni.com