

DR140








Basic Design

Fuel Type	Wood
------------------	-------------

Oven Type	Rotary
------------------	---------------

Basic design wood oven with rotating base. Simple and elegant design with brick façade, double door – one for the main baking chamber and additional door for the wood burning chamber. A separate drawer for the wood burning ashes. In addition to all of this you have a fully adjustable rotating base. Classical and preferred wood oven with very high durability – this is what this current oven offers.

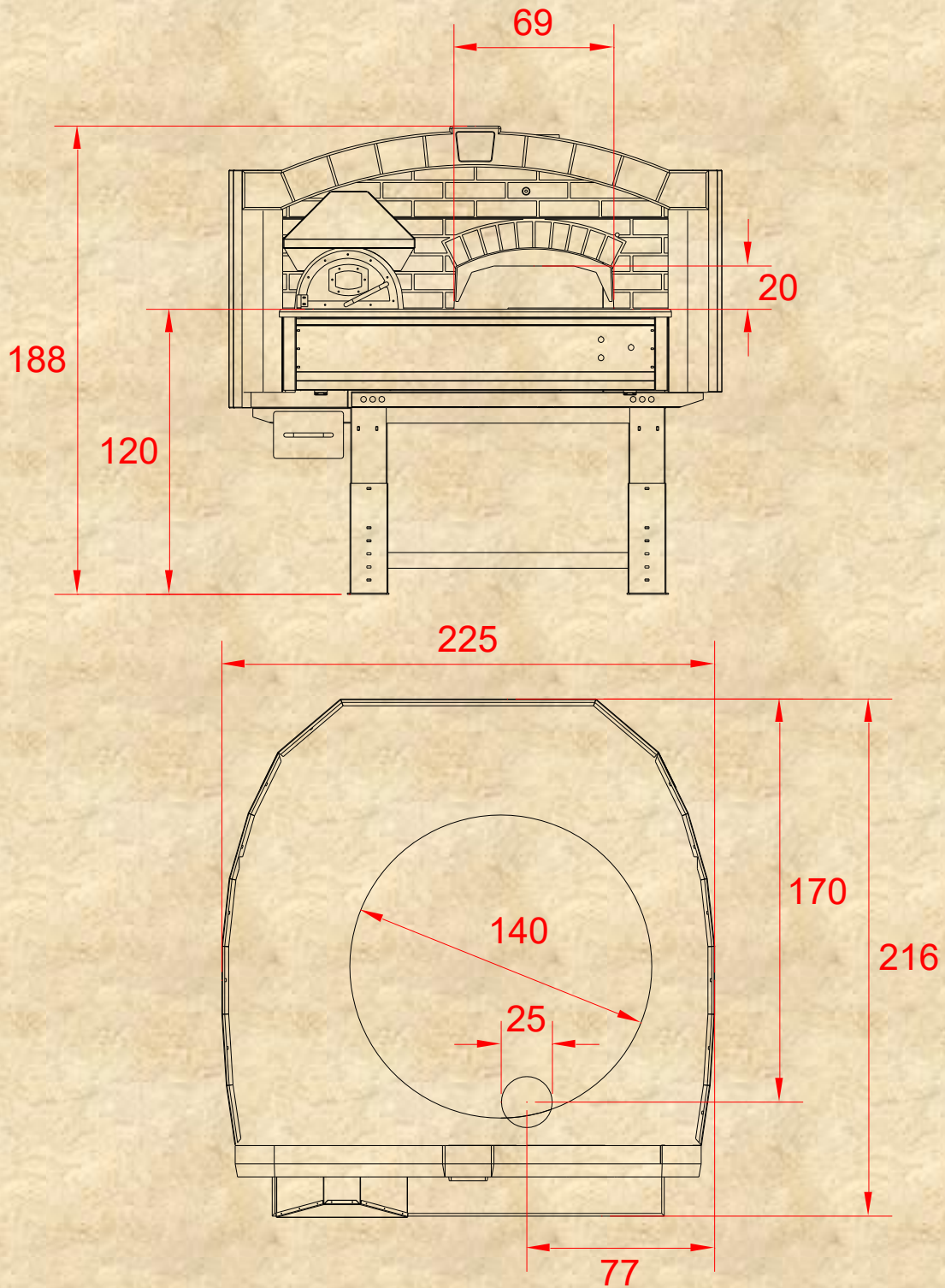
Capacity	13  30cm
Productivity	195  per hour
Firewood Consumption 	6 – 7 kg per hour
Electrical Supply 	230V / 50Hz
Weight 	2100 kg



We are a company, specializing in the manufacture of professional ovens for pizzerias.

AS TERM L.T.D
144 Tsar Ivan Asen II
4230 Asenovgrad
Bulgaria

tel/fax +359 331 462 42
info@astermforni.com
www.astermforni.com



***Dimensions in cm**



We are a company, specializing in the manufacture of professional ovens for pizzerias.

AS TERM L.T.D
 144 Tsar Ivan Asen II
 4230 Asenovgrad
 Bulgaria

tel/fax +359 331 462 42
info@astermforni.com
www.astermforni.com