

GR110K

Fuel Type	Gas
------------------	------------

Oven Type	Rotary
------------------	---------------








Mosaic



Silicone Coating

Attractive – this is how we can describe our Design K Gas Rotating Ovens. Domical type ovens are with silicone coating or mosaic finish. Elegant, eye catching, durable where quality of finish and the oven is self are viable. Due to its multiple color options, those ovens are very suitable for in-house restaurant use where customers enjoy both the pizza and the pizza oven. Special finishes are available upon request as such ovens may be the pearl and flag mark of your pizza restaurant. The rotating base is adjustable for speed and direction of rotation.

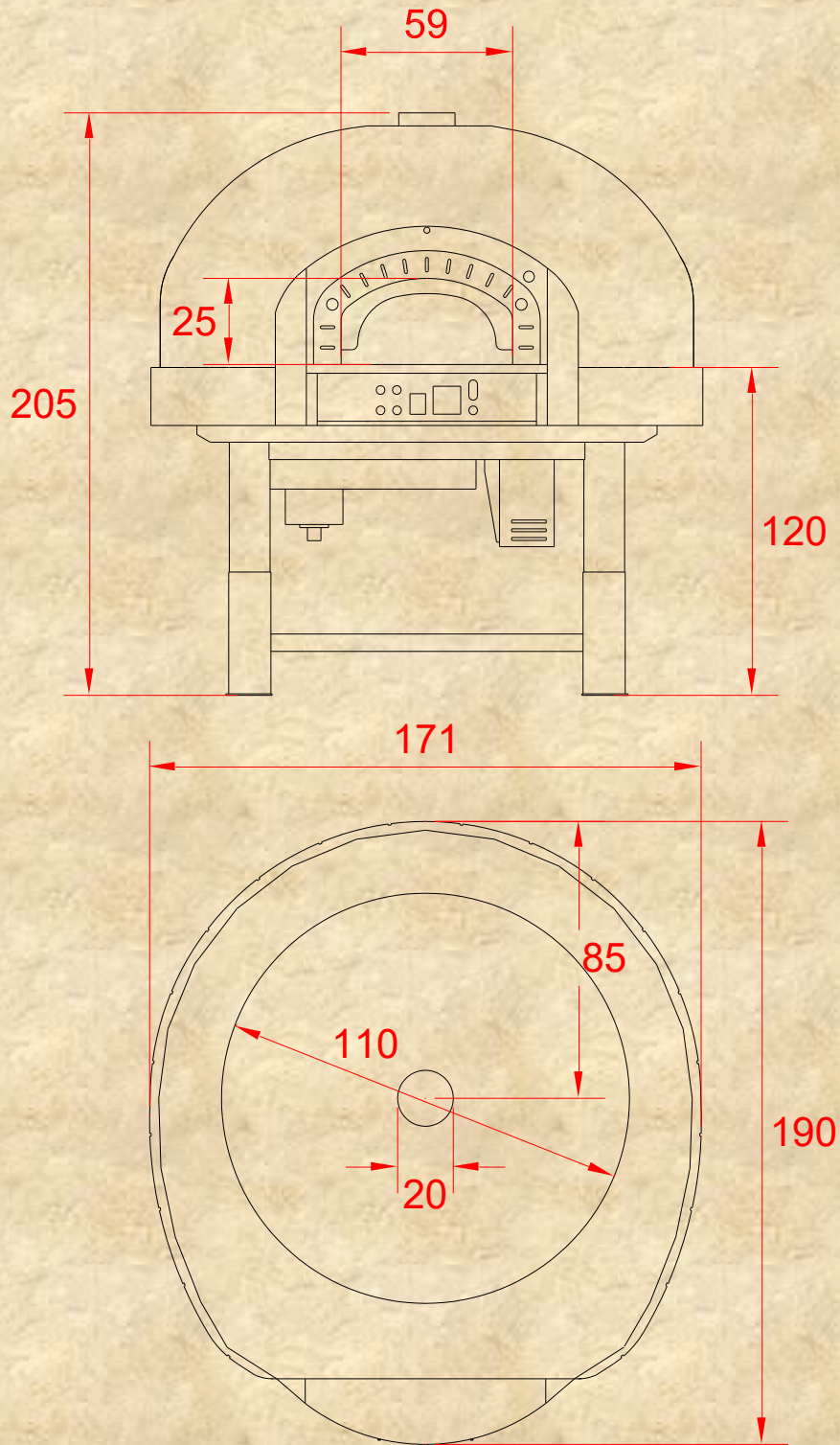
Capacity	8  30 cm		Thermal Power	26 kW	
Productivity	120  per hour		Gas Connection	3/4"	
Gas Consumption 	Natural Gas	LPG	Gas Pressure	G30-31	G20
	3.3 mc/h	1.9 kg/h		37 mbar	20 mbar
Weight 	1400 kg		Electrical Supply 	230V/50Hz	



We are a company, specializing in the manufacture of professional ovens for pizzerias.

AS TERM L.T.D
144 Tsar Ivan Asen II
4230 Asenovgrad
Bulgaria

tel/fax +359 331 462 42
info@astermforni.com
www.astermforni.com



***Dimensions in cm**



We are a company, specializing in the manufacture of professional ovens for pizzerias.

AS TERM L.T.D
144 Tsar Ivan Asen II
4230 Asenovgrad
Bulgaria

tel/fax +359 331 462 42
info@astermforni.com
www.astermforni.com