



**Mosaic**





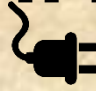

# MIX100RK

<b>Fuel Type</b>
<b>Wood &amp; Gas</b>
<b>Oven Type</b>
<b>Rotary</b>



**Silicone Coating**

Practical, compact, stylish - all words that describe this particular product. Our model MIX100RK is a dual fuel pizza oven (wood and gas) with a rotating base adjustable for speed and direction of rotation, capable to bake up to 90 pizzas per hour. Very attractive and elegant with double door – one for the main baking chamber and additional door for the wood burning chamber. A separate drawer for the wood burning ashes and a gas burner with adjustable power. Modern mixed oven with very high durability and efficiency – this is what this model offers. Produced in two designs – silicone coating and mosaic finish with various color options.

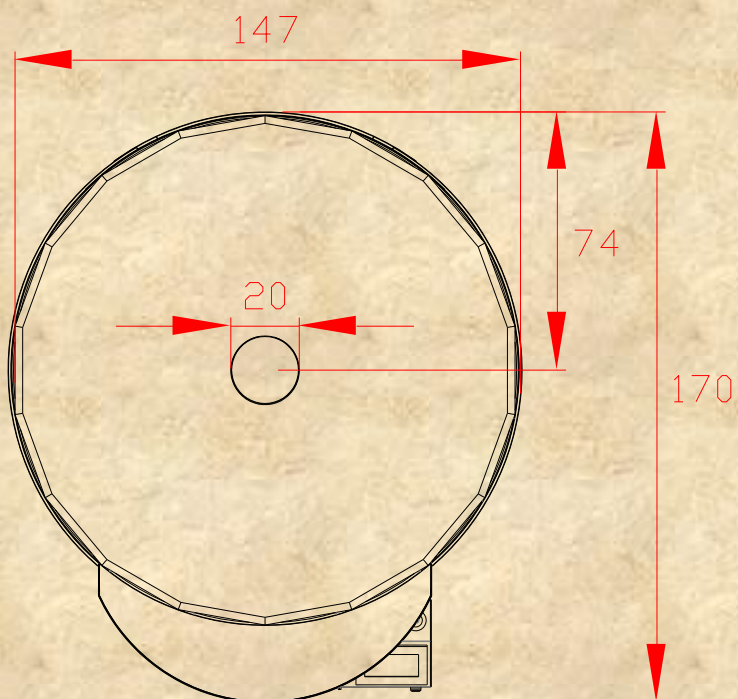
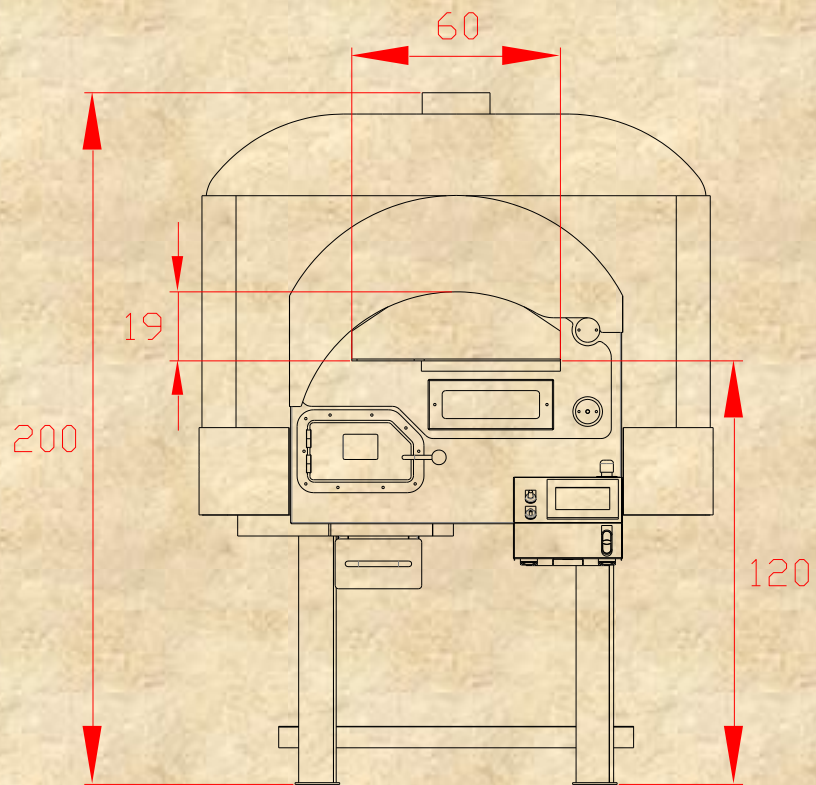
<b>Capacity</b>	6  30 cm	<b>Thermal Power</b>	<b>24 kW</b>	
<b>Productivity</b>	90  per hour	<b>Gas Connection</b>	<b>3/4"</b>	
<b>Firewood Consumption</b> 	<b>4 – 5 kg per hour</b>		<b>Gas Pressure</b>	<b>G30-31</b> <b>37 mbar</b>
<b>Gas Consumption</b> 	<b>Natural Gas</b>	<b>LPG</b>	<b>G20</b> <b>20 mbar</b>	<b>Electrical Supply</b> 
	<b>3.1 mc/h</b>	<b>1.8 kg/h</b>	<b>230V/50Hz</b>	
			<b>Weight</b> 	<b>1400 kg</b>



We are a company, specializing in the manufacture of professional ovens for pizzerias.

AS TERM L.T.D  
144 Tsar Ivan Asen II  
4230 Asenovgrad  
Bulgaria

tel/fax +359 331 462 42  
[info@astermforni.com](mailto:info@astermforni.com)  
[www.astermforni.com](http://www.astermforni.com)



**\*Dimensions in cm**



We are a company, specializing in the manufacture of professional ovens for pizzerias.

**AS TERM L.T.D**  
144 Tsar Ivan Asen II  
4230 Asenovgrad  
Bulgaria

tel/fax +359 331 462 42  
[info@astermforni.com](mailto:info@astermforni.com)  
[www.astermforni.com](http://www.astermforni.com)