

MIX120RKS

(Two Burners)





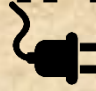


Silicone Coating

Fuel Type	Wood & Gas
------------------	-----------------------

Oven Type	Rotary
------------------	---------------

Cupola design oven powered mainly on gas with a separate space in the baking chamber for wood. The main goal is to have easy operations on gas as wood is added in the baking chamber for flavour. Produced with two burners, highly efficient oven. The rotating base makes the oven very efficient. Produced in two optional finishes – silicone coating and mosaic finish with multiple colour and design options. Modern, highly efficient and very attractive.

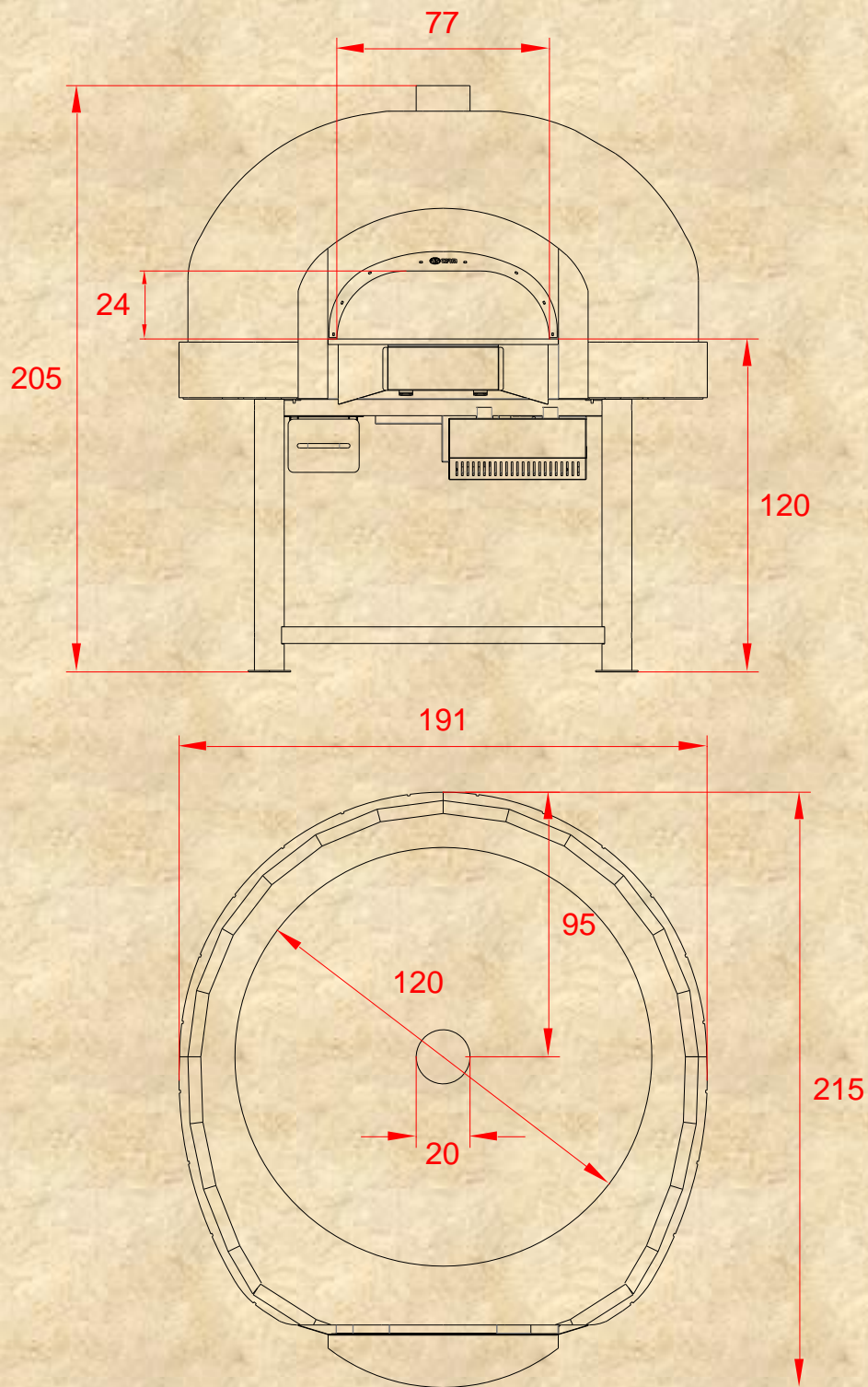
Capacity	9  30 cm		Thermal Power	38 kW	
Productivity	135  per hour		Gas Connection	3/4"	
Firewood Consumption 	3 – 4 kg per hour		Gas Pressure	G30-31	G20
				37 mbar	20 mbar
Gas Consumption 	Natural Gas	LPG	Electrical Supply 	230V/50Hz	
	6.3 mc/h	3.6 kg/h			



We are a company, specializing in the manufacture of professional ovens for pizzerias.

AS TERM L.T.D
144 Tsar Ivan Asen II
4230 Asenovgrad
Bulgaria

tel/fax +359 331 462 42
info@astermforni.com
www.astermforni.com



***Dimensions in cm**



We are a company, specializing in the manufacture of professional ovens for pizzerias.

AS TERM L.T.D
 144 Tsar Ivan Asen II
 4230 Asenovgrad
 Bulgaria

tel/fax +359 331 462 42
info@astermforni.com
www.astermforni.com